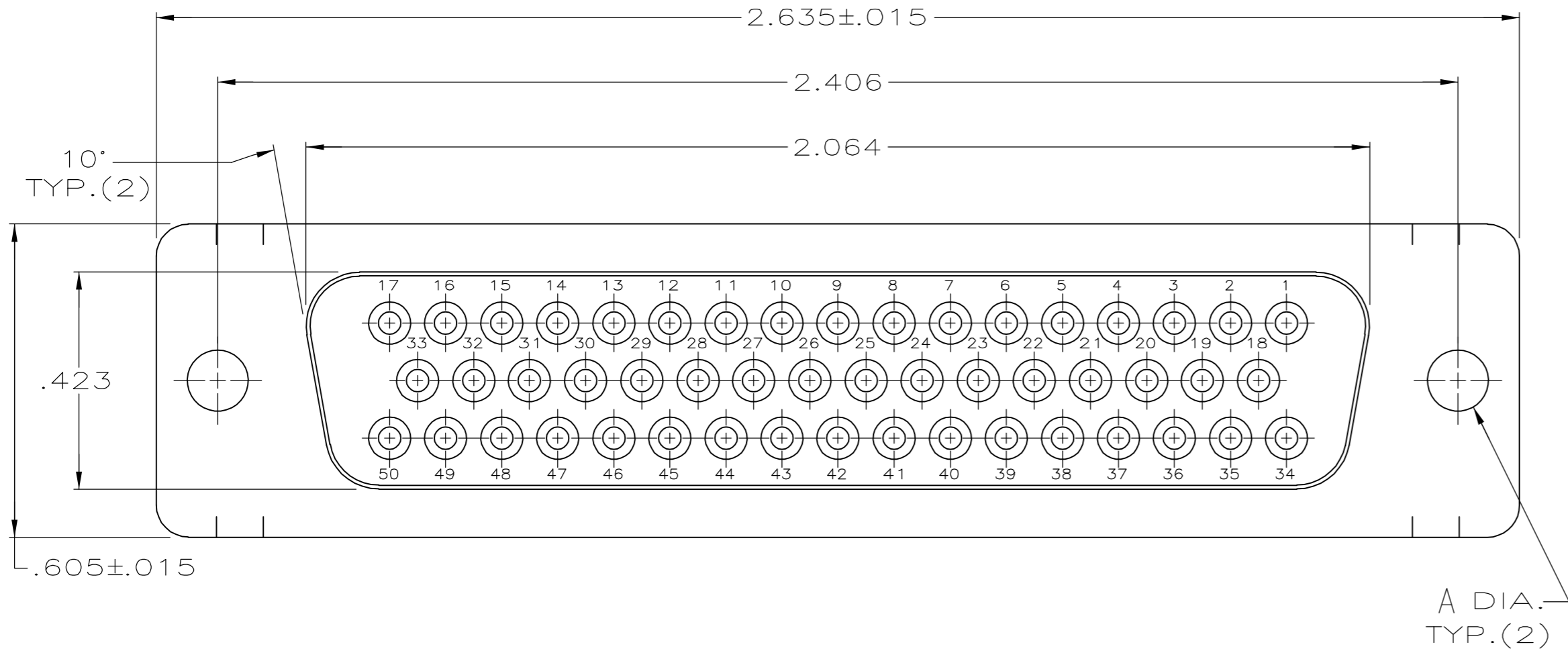
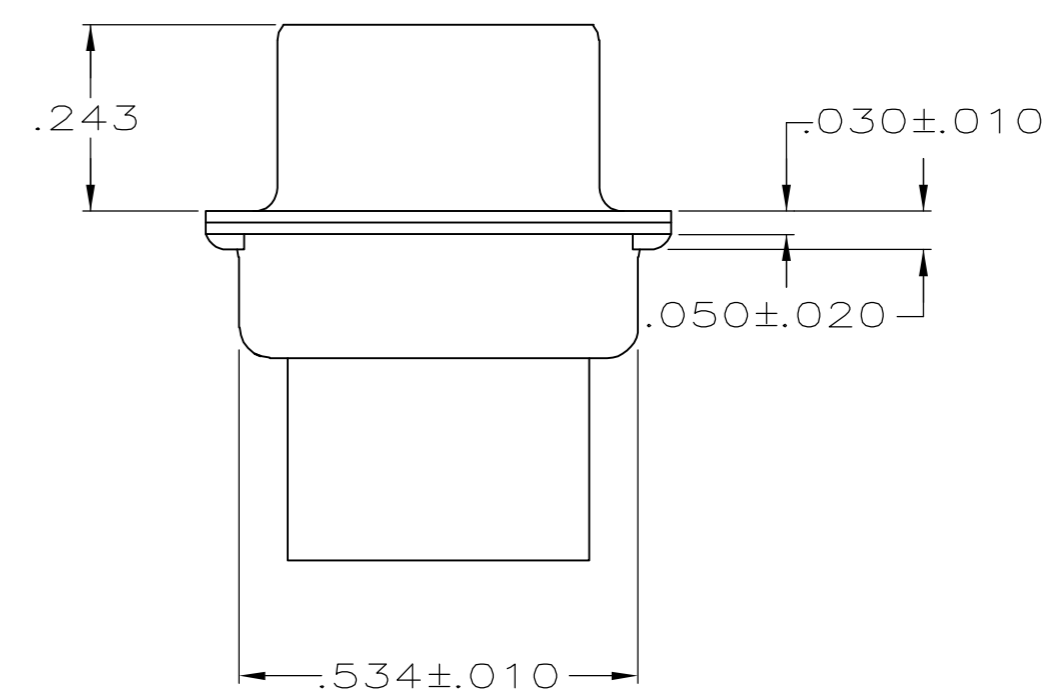
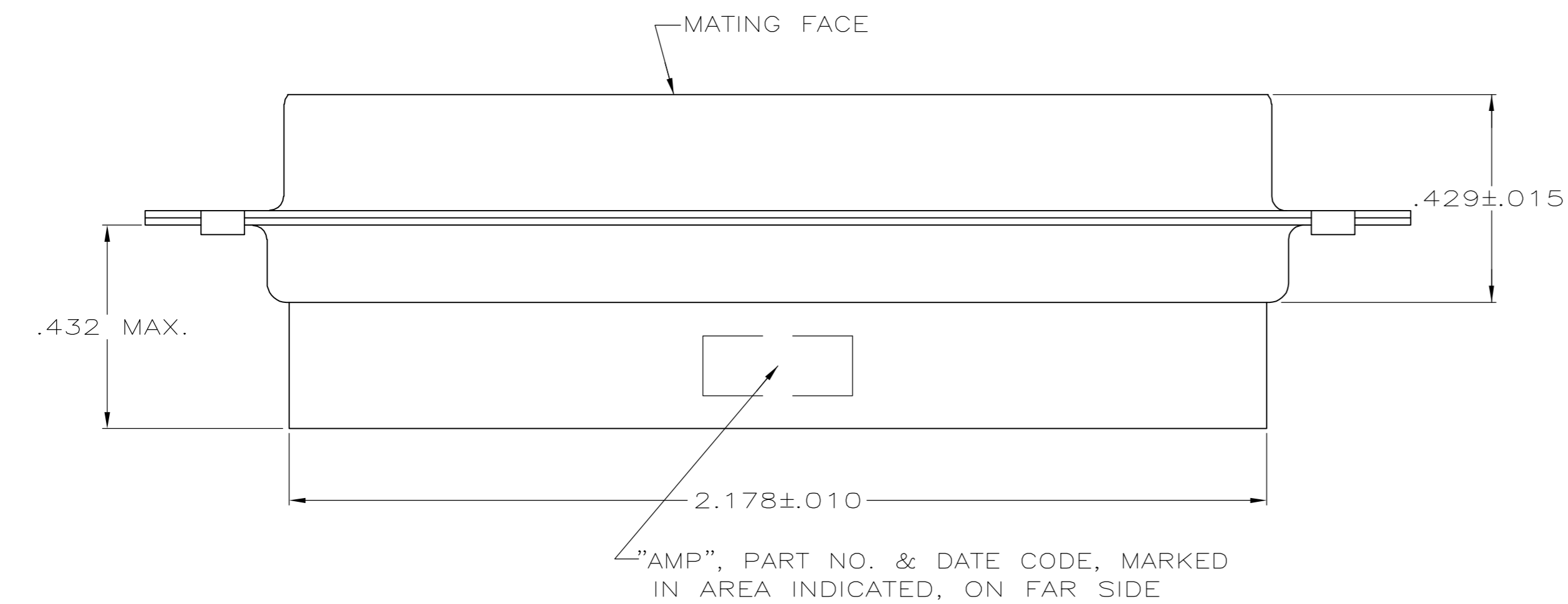


THIS DRAWING IS UNPUBLISHED. RELEASED FOR PUBLICATION
 © COPYRIGHT BY TYCO ELECTRONICS CORPORATION. ALL RIGHTS RESERVED.

LOC	DIST	REVISIONS			
P	LTR	DESCRIPTION	DATE	DWN	APVD
GP	00	H1	REVISED PER ECO-06-020813	6/NOV/06	ZR CR



- 1. CONNECTOR ACCEPTS SIZE 20 DF SOCKET CONTACTS, RETENTION TINES ARE AN INTEGRAL PART OF INSERT.
- 2. CONNECTOR COMPLIES WITH AMP SPEC. 108-40,005 WHERE APPLICABLE.
- ③ FLAME RETARDANT 94V-0 RATED GLASS FILLED NYLON, COLOR: BLACK.
- ④ STEEL PER ASTM A109.
- ⑤ ZINC PLATED PER ASTM B633; TYPE II; CLASS SC1; YELLOW CHROMATE.
- ⑥ TIN PLATED PER MIL-T-10727.



SUPERSEDED BY 205211-1	SMALL PACK	⑤	.120	205211-5
OBSOLETE	STANDARD	⑥	.154	205211-4
OBSOLETE	STANDARD	⑥	.120	205211-2
OBSOLETE	STANDARD	⑤	.120	205211-1

PACKAGING TYPE	SHELL FINISH	A	PART NUMBER
----------------	--------------	---	-------------

THIS DRAWING IS A CONTROLLED DOCUMENT.		DWN S.WELDON 7-19-85	Tyco Electronics Corporation	
DIMENSIONS: INCHES		CHK J.GERACE 7-29-85	Harrisburg, PA 17105-3608	
TOLERANCES UNLESS OTHERWISE SPECIFIED:		APVD V.KUMAR 7-31-85	NAME	
0 PLC ± -	1 PLC ± -	PRODUCT SPEC	RECEPTACLE CONNECTOR, SIZE 5, 50 POS., AMPLIMITE™ HDP	
2 PLC ± -	3 PLC ± .005	APPLICATION SPEC	SIZE A2	CAGE CODE 00779
4 PLC ± -	ANGLES ± 2°	FINISH	DRAWING NO C=205211	RESTRICTED TO -
MATERIAL	MOLDED PARTS: ③	SHELLS: ④	WEIGHT -	SCALE 4:1
SHELLS: SEE TABLE		CUSTOMER DRAWING	SHEET 1 of 1	REV H1